

SMARTSHOW

RGB & RGBW
Pixel Panels

Product Information
& Quick Start Guide

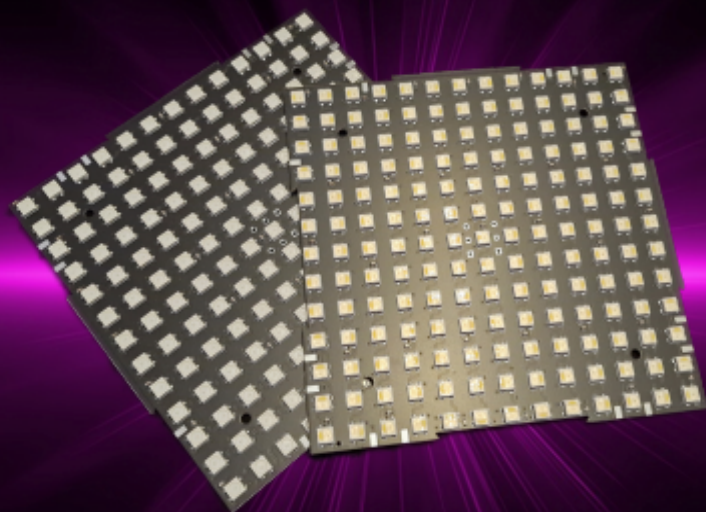
Visit our Social Media pages



[facebook.com/groups/smartshowuk](https://www.facebook.com/groups/smartshowuk)



[instagram.com/smartshow_uk_ltd](https://www.instagram.com/smartshow_uk_ltd)



Designed & Assembled
in the UK at
SmartShow UK Ltd
Company No: 12175664



Thank you for purchasing our SmartShow RGB or RGBW Pixel Panels. We hope it gives you many years of trouble-free use and enjoyment.

This handy leaflet is a guide to get you started with connecting Pixel Panels to a Pixel Driver, Power supply and to further Pixel Panels of the same type

If you find a problem with the product (manufacturing defect or otherwise) please contact us on sales@smartshow.lighting and we will endeavour to assist you.

Our warranty information is available at <https://smartshow.lighting>

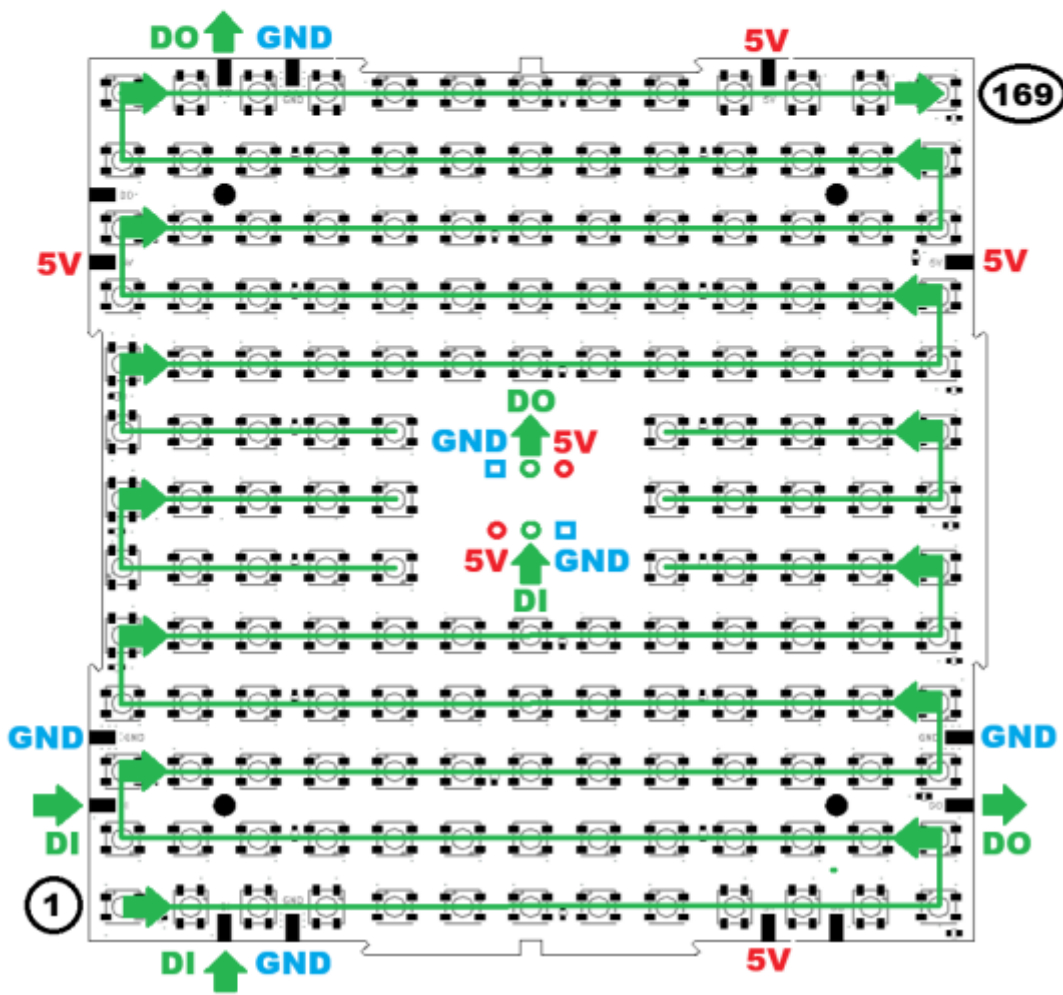
Register your product with us at <https://smartshow.lighting/register>

RGB/RGBW Pixel Panels: Overview

These panels are designed to interlock vertically and horizontally, with no apparent gaps between adjacent 10mm pixel pitches. The panels can only be fitted one way around.

There are connections for Power (5V/0V) and Data In/Out (DI/DO) central to the rear of the panel. These are designed for either direct solder connections, 5.08mm solderable screw terminals, or 5.08 plug and socket connectors.

There are also edge connections on the front face of the panel that can allow adjacent panel power (and data in some cases) to be connected, this helps balance the power current/voltage.



RGB/RGBW Pixel Panels: Connection

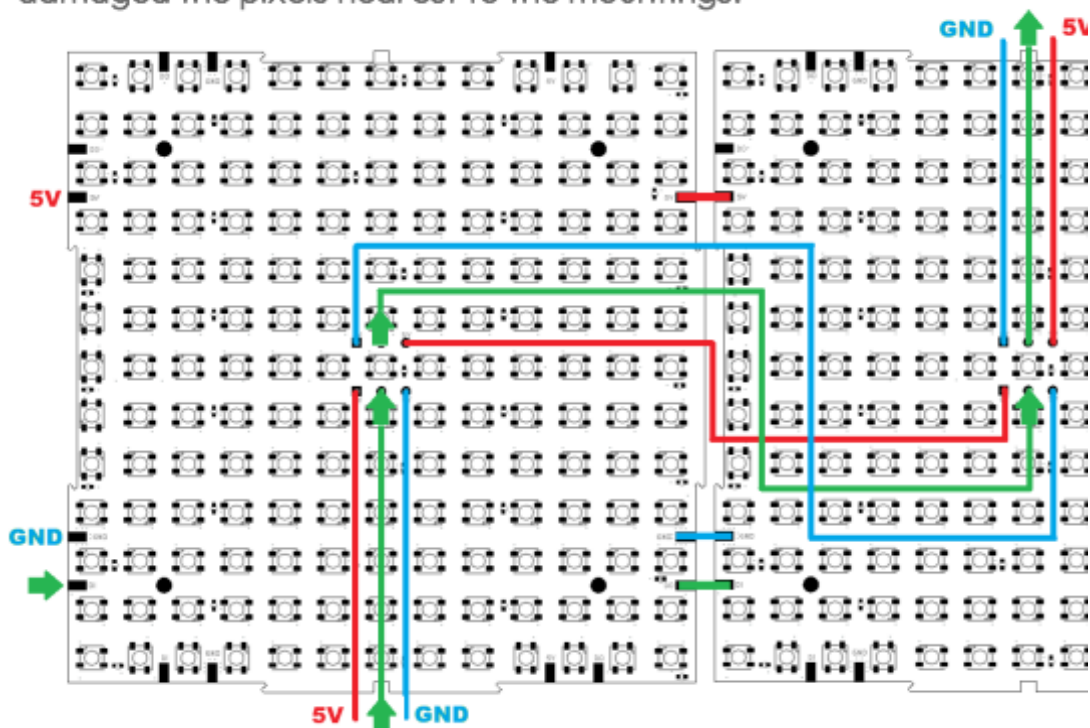
Horizontal Layout (below): Supplementary panel power and data can be linked via the left and right edge tabs.

Vertical Layout (right): Supplementary panel power and data can be linked via the top and bottom edge tabs.

Pixel Data: You can choose to use either the edge tabs to pass pixel data from one panel to the next or the centre DO/DI terminals.

Power: Initial Power should ALWAYS be fed to the panel centre terminals, if using two panels you only need to do this once. If using multiple panels we recommend looping power using the centre terminals from one board to the next. If using more than 4 panels we recommend providing power to each end of the panel row, and linking between using the edge tabs.

Mounting: Each panel has 4 mounting holes at 90mm centres, these will take an M2.5 or M3 screw, please take care to not damaged the pixels nearest to the mountings.



Specifications

Size: 132mm x 132mm

Num Pixels: 169

Voltage: 5V

Light angle: 120°

Flow: Snake-lines

Pixel 1: Bottom-Left

Pixel 169: Top-Right

RGB Panel

WS2812b

Max current: 6.08A

Max power: 50W

Colour order: GRB

RGBW Panel

SKC6812RGBW-NW

Max current: 6.8A

Max power: 35W typ

Colour order: GRBW

